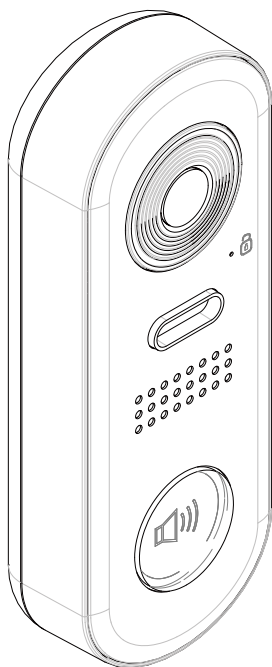


English

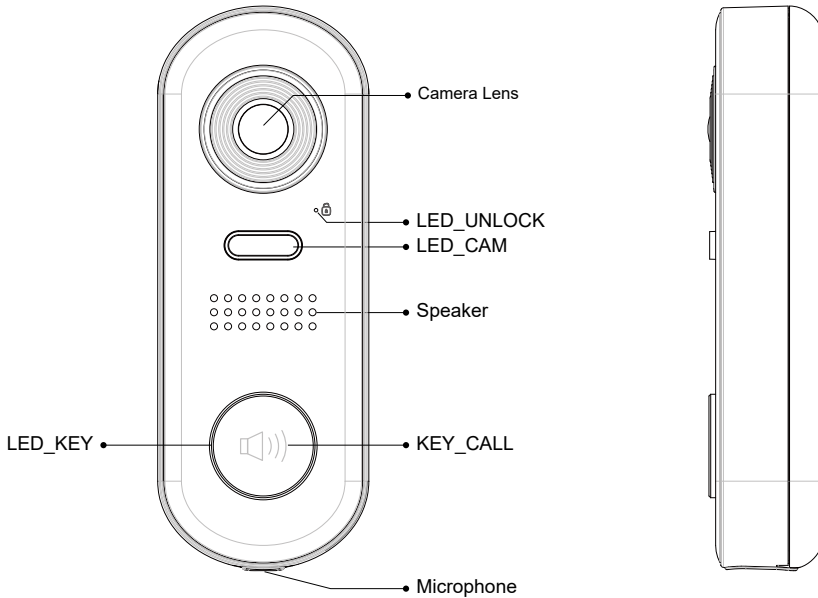
CDVI 2-Wire Video Outdoor Station

User Manual

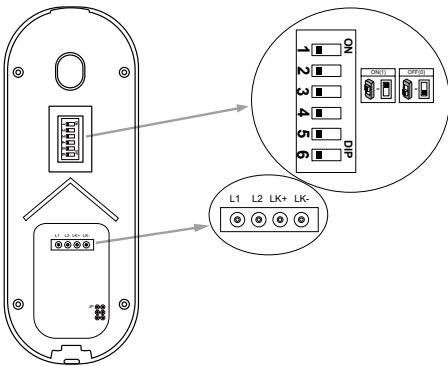


ENG-CDV91S-V1 1903

1.Parts and Functions



2.Terminal Descriptions



DIP:

Bit 1&2: sets the door station address, a total of 4 door stations can be supported. Please refer to door station address setting.

Bit 3&4: sets the unlock time for door station. Please refer to unlock time setting.

Bit 5: sets the unlock mode for door station (0(OFF):open/1 (ON):closed).

Bit 6: 0(OFF) --> 1(ON), to enter the setting mode.

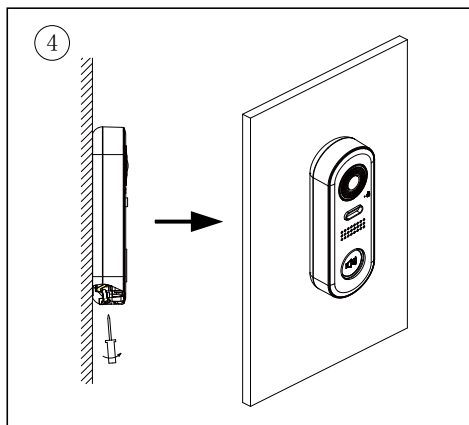
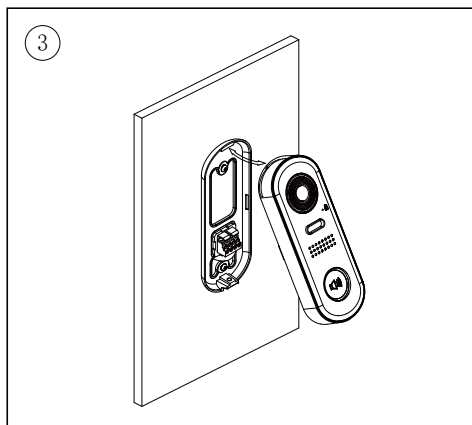
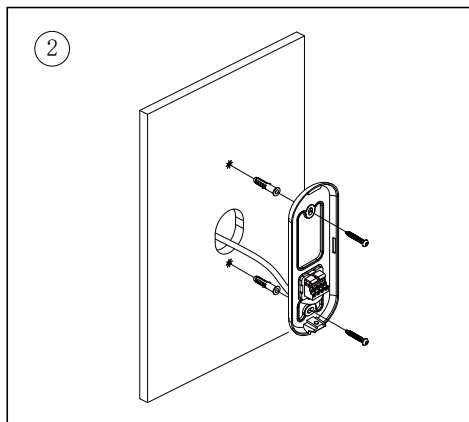
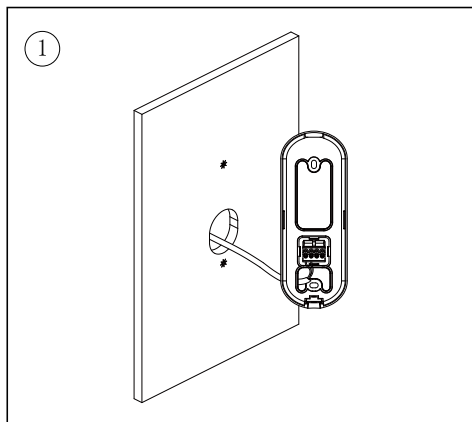
L1,L2: Connect to the bus line, no polarity.

LK+: Lock power(+) output.

LK-: Lock power (-) output, connect to the power (-) input of lock.

JP: Lock Control Jumper.

3. Mounting



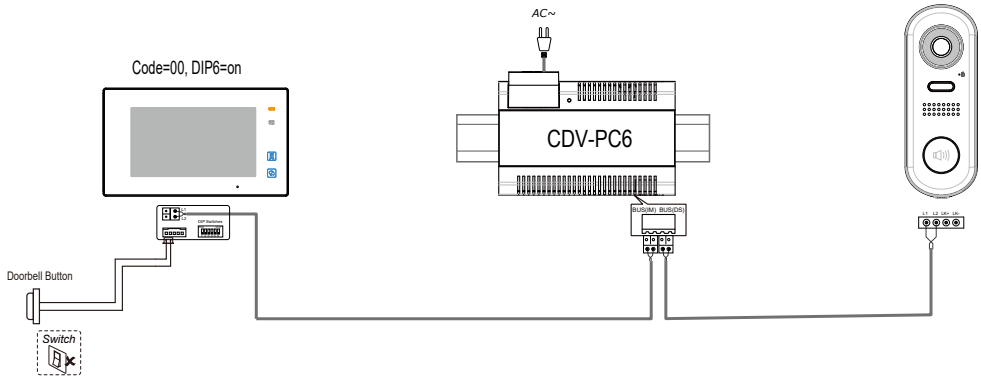
1. Installation height for door station usually is 145~160cm.

2. Use screws to fix the back panel to the wall and connect the cables correctly.

3. Attach the front panel to the back panel, then use the screw to secure the panel.

4. System Wiring and Connections

Basic Connection

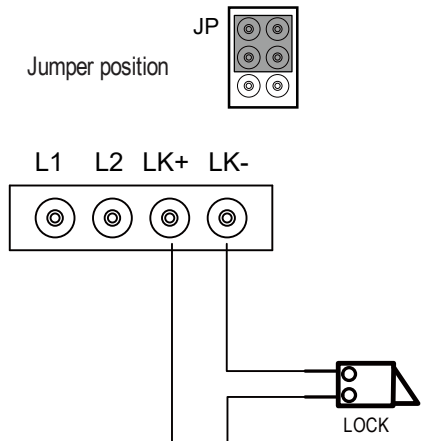


Electric Lock Connection

Door Lock Controlled with Internal Power

Note:

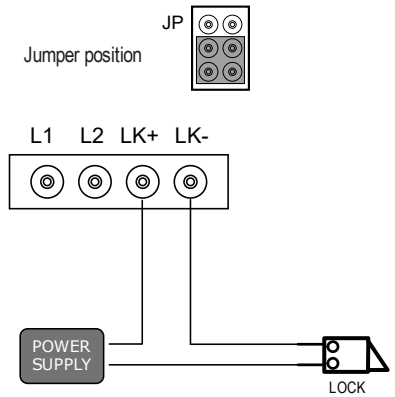
1. This mode only supports strike type locks.
2. Strike type locks of Power-on-to-unlock (fail secure) type should be used.
3. The door lock is limited to 12V, and holding current must be less than 250mA.
4. The **Unlock Mode** Parameter of the Monitor must be set to 0 (default).



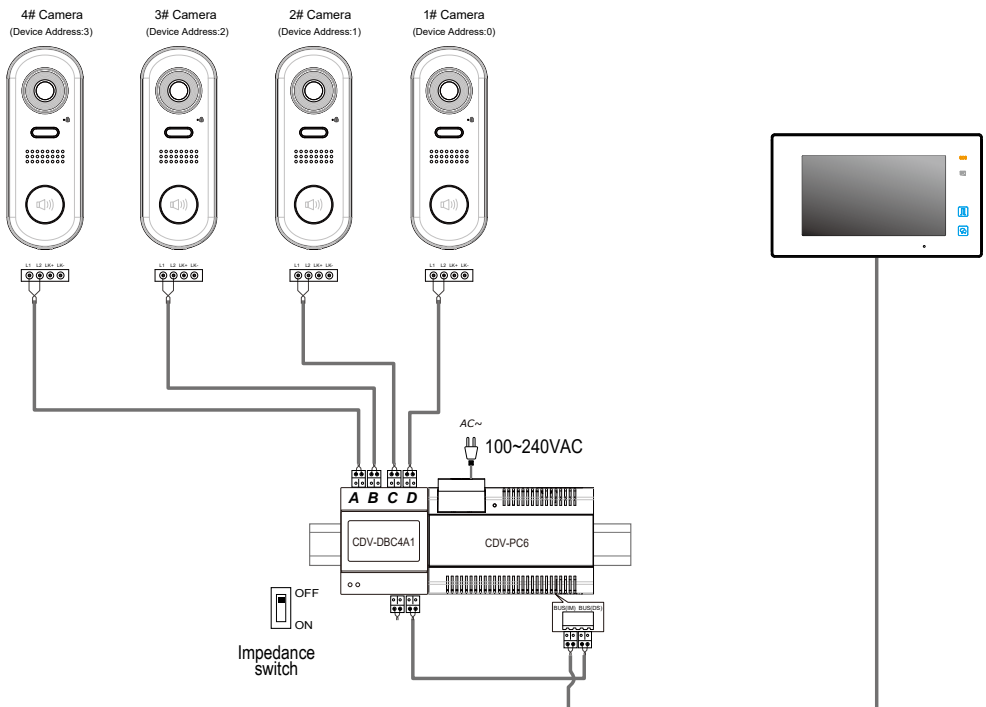
Door Lock Controlled with Dry Contact

Note:

1. An external power supply must be used according to the lock power requirements.
2. The internal relay contact is restricted to AC or DC Max 24V/1A.
3. Setup the **Unlock Mode** of Monitor for different lock types.
 - Power-on-to-unlock (Fail Secure) type: Unlock Mode=0 (default)
 - Power-off-to-unlock (fail safe) type:Unlock Mode=1

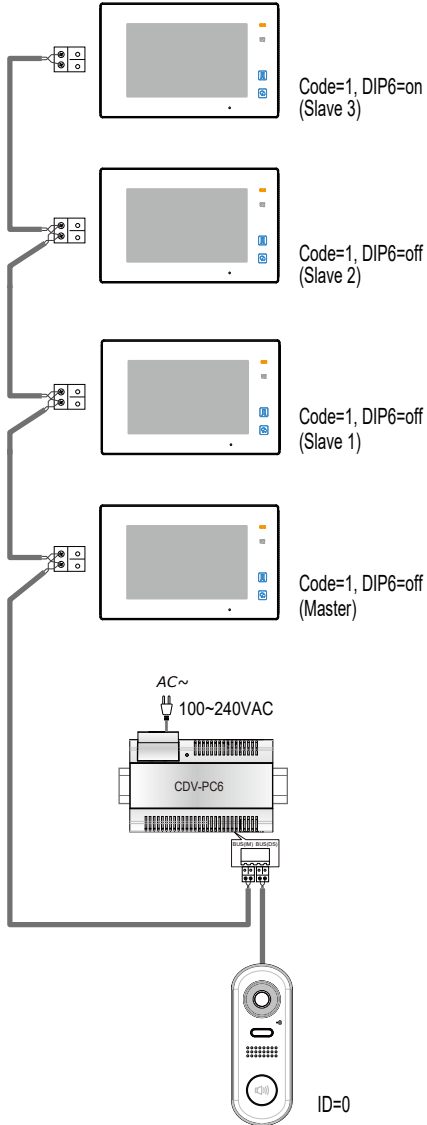


Multi Door Stations Connection



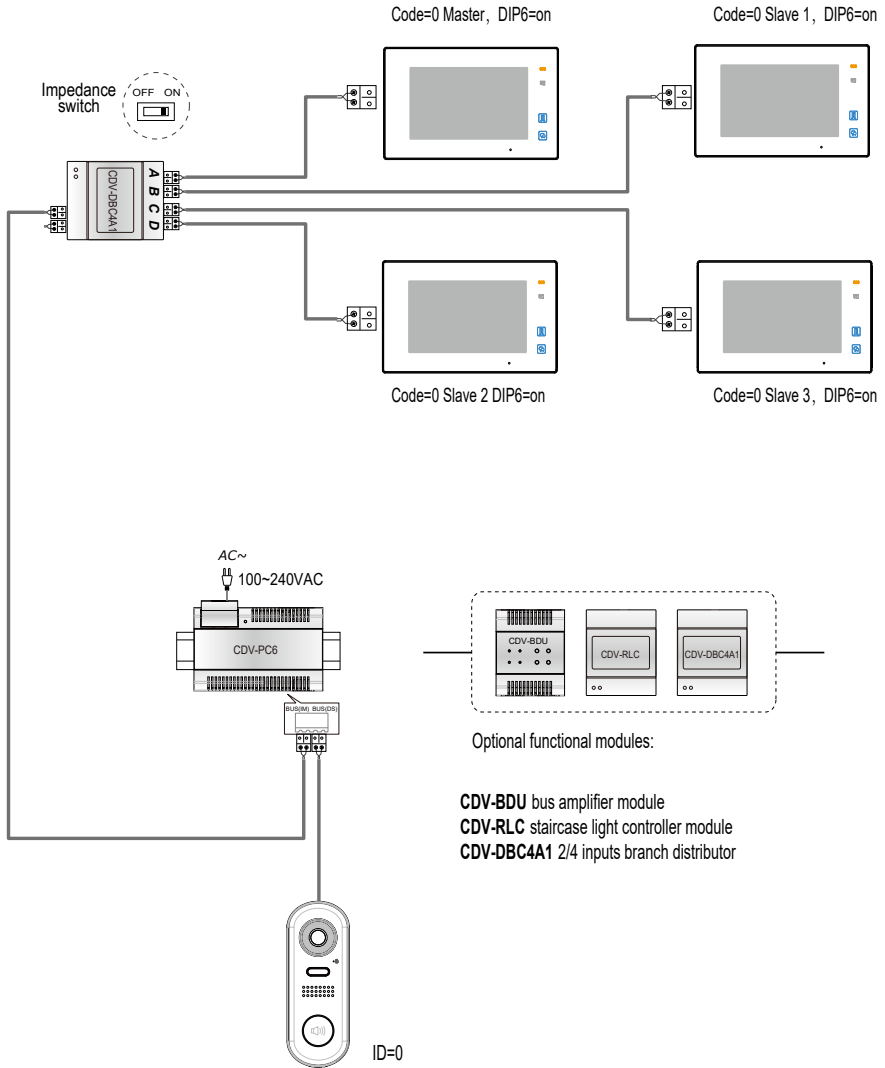
Multi Monitors Connection

Basic IN-OUT Wiring in Standard Mode



- The door station is compatible with other monitors within the 2Easy range .
- Please set the door station into group calling mode if there are more than 4 monitors in villa(Refer to Page 8)
- For the last monitor connected to the system, DIP6 should be set to **ON**.

Star Topology Wiring With CDV-DBC4A1 in Standard Mode



- The system can be extended by up to 3 slave monitors for each monitor. It is recommended to use a distributor CDV-DBC4A for the extension.

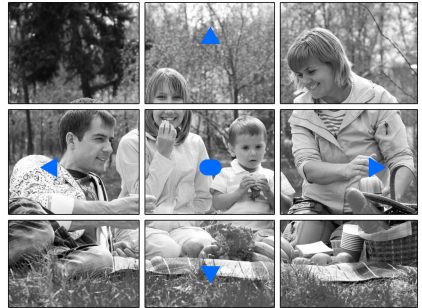
5. Pan-tilt & Zoom

Note: this function requires a monitor with fish-eye function to operate.

It is possible to adjust the display mode for viewing images of a fish-eye door station by using the 5 direction pad button.

When an image at a door station is displayed, move to the desired position by touching ▲ ▼ ● ◀ ▶ on the screen to view the image in zoom mode.

Note: The edge of pantilt image will not be displayed.



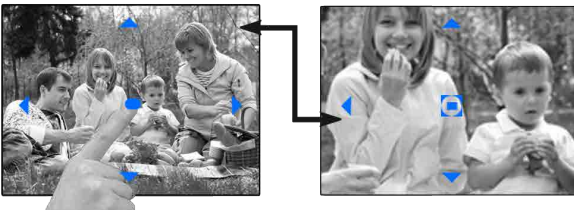
Screen of monitor

Here are some examples:

Press the **CALL** button on outdoor station the Monitor rings with the screen on, or during monitoring state the visitors' image will be shown on screen:

Using the five direction pad mode, you can zoom in or zoom out to identify anyone at the entrance.

Touch ● icon to zoom the center position.



When you press any button of the five direction pad, the screen will be enlarged to full screen.

Press ◻ to return to the full screen mode; Press ◀, ▲, ▶ to move in order to see individuals up close.

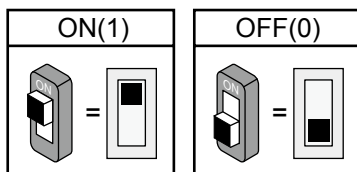
6. LED status

Different LEDs ON to represent different states.





Please refer to the figure below.

LEDs Status	LED_UNLOCK	LED_CAM	LED_KEY
Monitoring	--	Auto (by default)	ON (by default)
Calling	--	Auto (by default)	Flash quickly
Talking	--	Auto (by default)	Flash slowly
Unlock	ON	--	--
Upgrade	ON	--	--
Setup/ Initilization	ON	--	--

7. Door station address setting

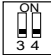

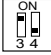



2 bits on the DIP switches can be configured. The switches can be modified either before or after installation.

Bit state	Descriptions
	Default setting, ID = 0(00), set to the first Door Station.
	ID = 1(10), set to the second Door Station.
	ID = 2(01), set to the third Door Station.
	ID = 3(11), set to the fourth Door Station.

8. Unlock time setting

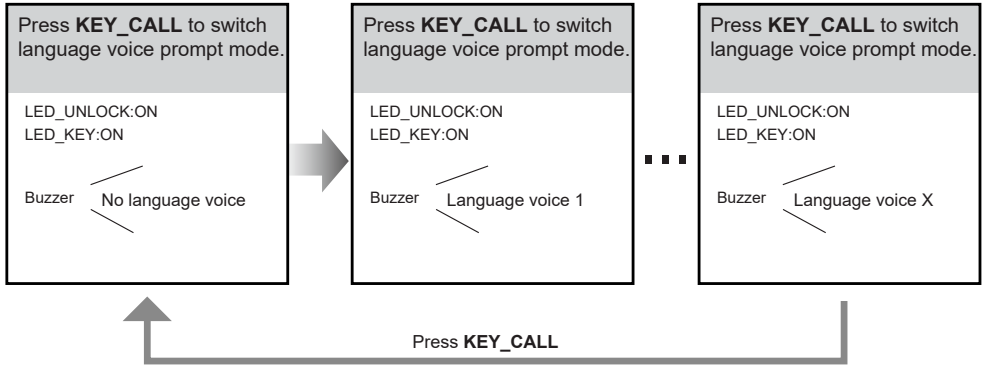
2 bits on the DIP switches can be configured. The switches can be modified either before or after installation.

Bit state	Descriptions
	Default setting, unlock time is Xs.
	Set to the unlock time is 3s.
	Set to the unlock time is 5s(Default value can be changed).
	Set to the unlock time is 10s.

9. Setup

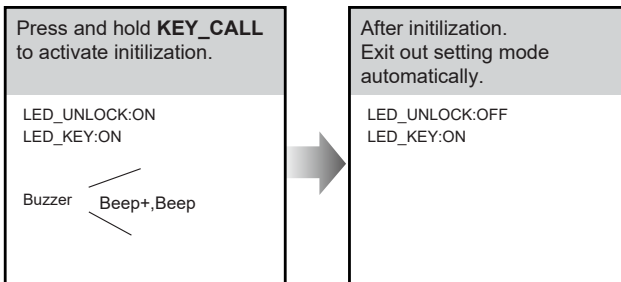
Set bit 6 to ON or connect power and within 10 secs, press and hold KEY_CALL to enter the setting mode.

Switch Language Voice



- Without any operation in 10 seconds, the panel will exit out the setting mode automatically.

Initilization



- Without any operation in 10 seconds, the panel will exit out the setting mode automatically.

10. Specifications

- Power Supply : DC 24V ;
- Power Consumption: Standby 14mA; Working status 122mA;
- Camera: Color CMOS, 2.0 Mega pixel
1/2.7" fisheye camera, 170° wide angle;
- Lock Power supply: 12Vdc, 250mA(Internal Power);
- Mounting: Surface mounting
- Working temperature: -15°C ~ +55°C
- Dimension: 160(H)×60(W)×31.5(D)mm

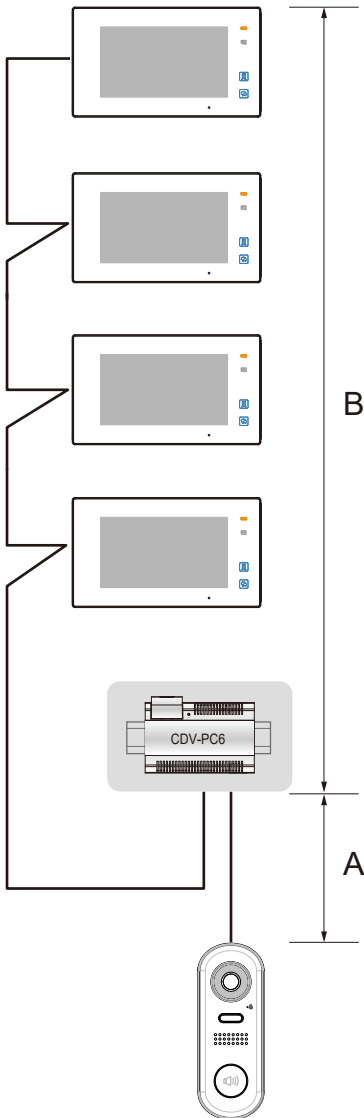
11. Precautions

- Please clean the unit with soft cotton cloth, don't use any impregnated cloth or chemical clean agent. If necessary, please use a little pure water or dilute soap water to clean the dust.
- The unit is weather resistant. However do not spray high pressure water on access control keypad directly. Excessive moisture may cause problems with the unit.
- You must use the right adaptor which is supplied by the manufacture or approved by the manufacture..
- Pay attention to the high voltage inside the products, please refer service only to a trained and qualified professional.

12. Cables Requirements

The maximum distance of the wiring is limited in the 2Easy system. Using different cables may also affect the maximum distance which the system can reach.

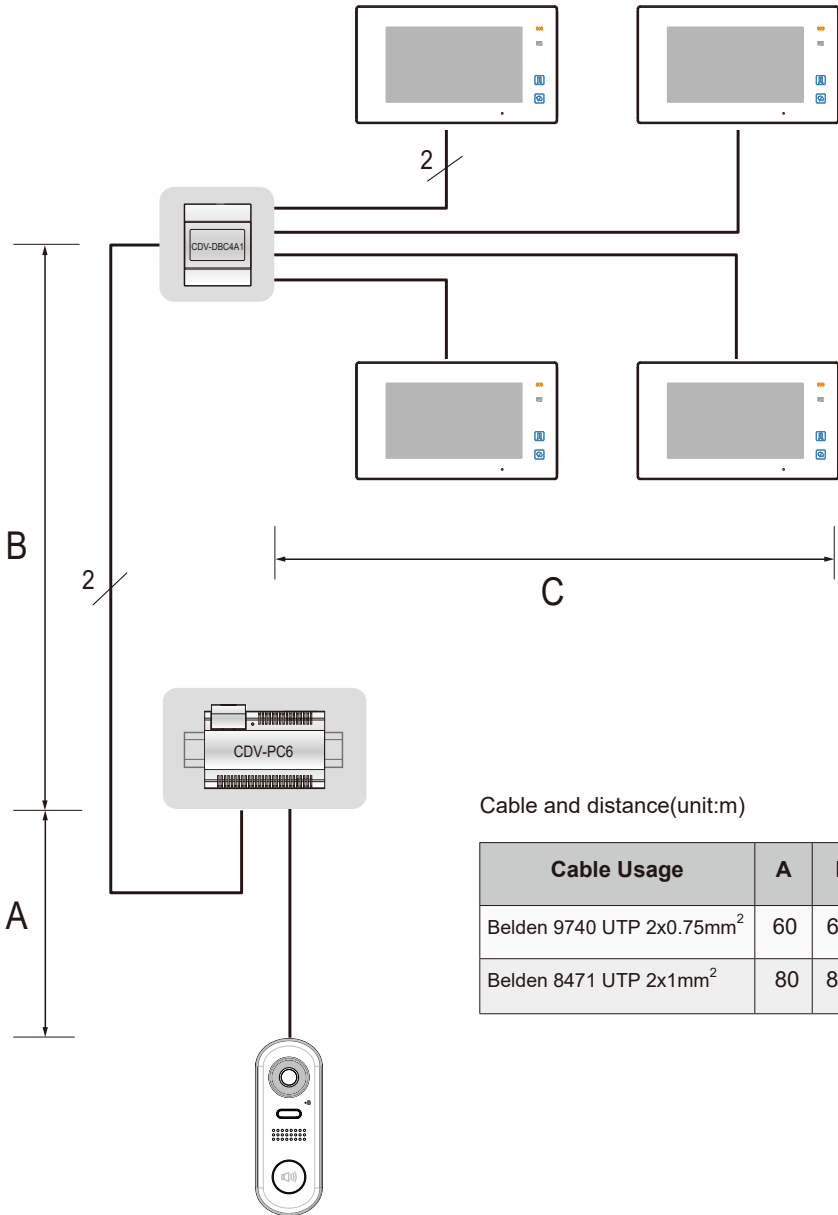
Basic IN-OUT Wiring Mode



Cable and distance(unit:m)

Cable Usage	A	B	B
		≤ 2 IM	≤ 16 IM
Belden 9470 UTP 2x0.75mm ²	60	100	40
Belden 8471 UTP 2x1mm ²	80	120	60

Star Topology Wiring Mode With CDV-DBC4A1



Cable and distance(unit:m)

Cable Usage	A	B	C
Belden 9740 UTP 2x0.75mm ²	60	60	30
Belden 8471 UTP 2x1mm ²	80	80	40

Note

A series of horizontal dotted lines for writing notes.

The design and specifications can be modified without notice to the user. Right to interpret and copyright of this manual are reserved.